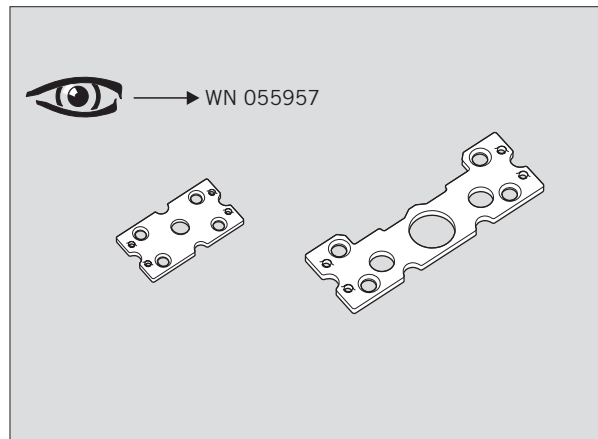
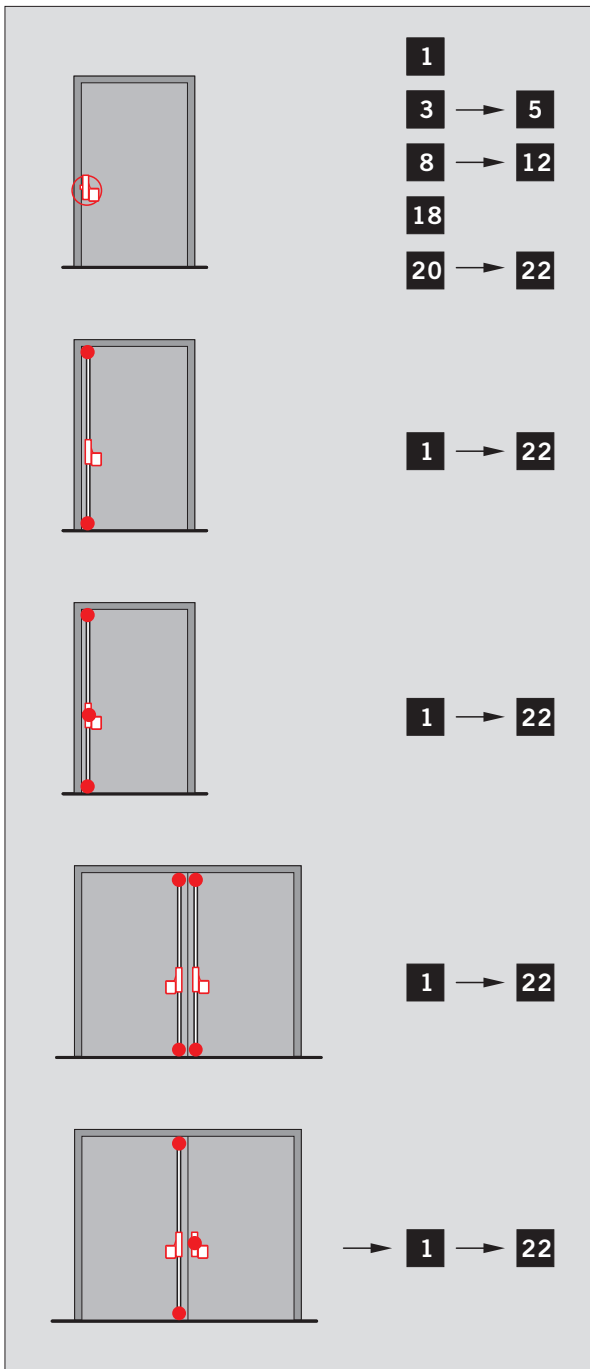


WN 057558 45532
05/08

CE	DORMA GmbH + Co. KG		08	
	Postfach 4009 58 247 Ennepetal			
	1121 - AB0031	3 7 6 1 1 4 4 2 B	3 7 6 1 1 4 4 2 B	
	EN 179: 1997 + A1: 2001	3 7 6 0 1 4 4 2 B		
Dangerous substances: None				



Der Panik-Beschlag kann bei extremen Türsituationen mit einer Türbreite $X < 1000$ mm in Verbindung mit dem Abstand des Bandes $Y > 90$ mm evtl. nicht nach den Standardmaßen montiert werden. Einbauvorschläge stellt DORMA Ihnen auf Anfrage zur Verfügung.

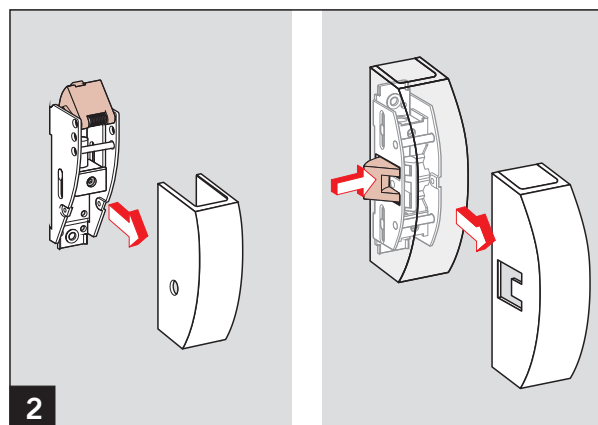
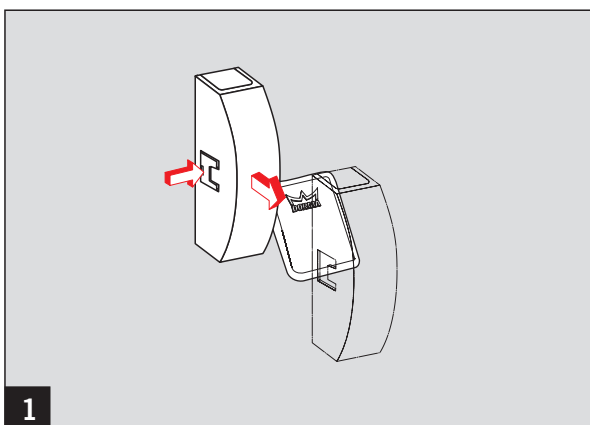
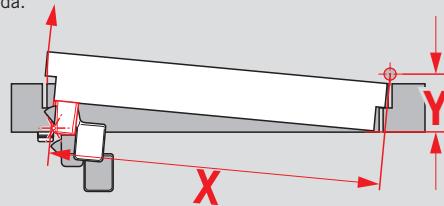
It may be the case that the panic fitting cannot be installed on extreme door situations according to standard measurements (door width X smaller than 1000 mm in connection with the distance of the hinge Y bigger than 90 mm). On request DORMA will gladly give you installation suggestions.

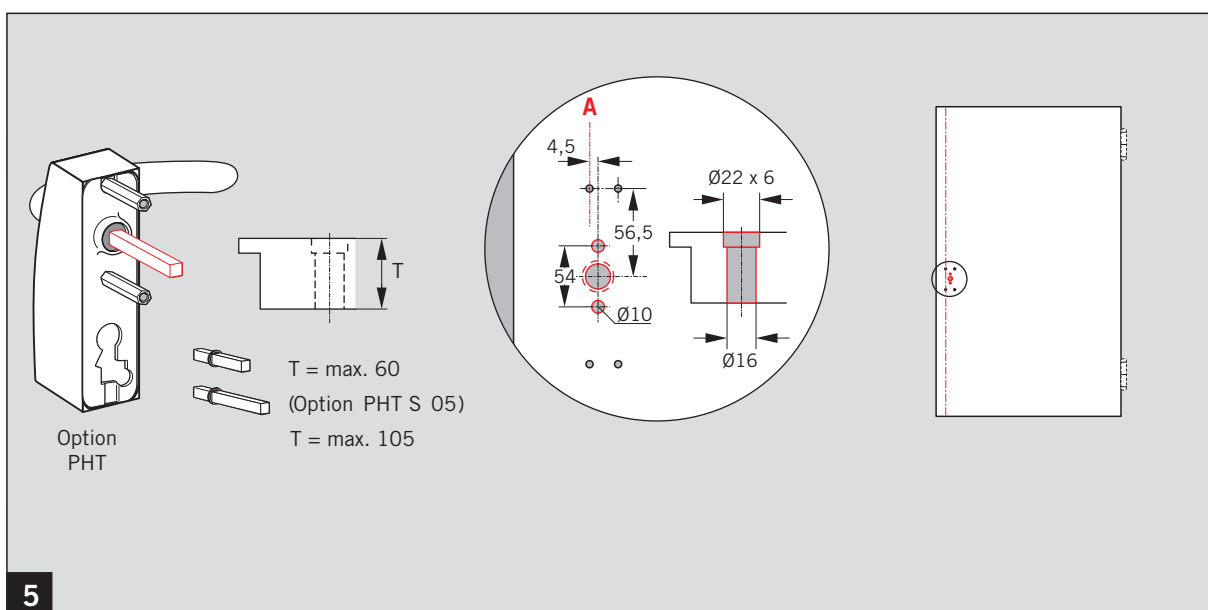
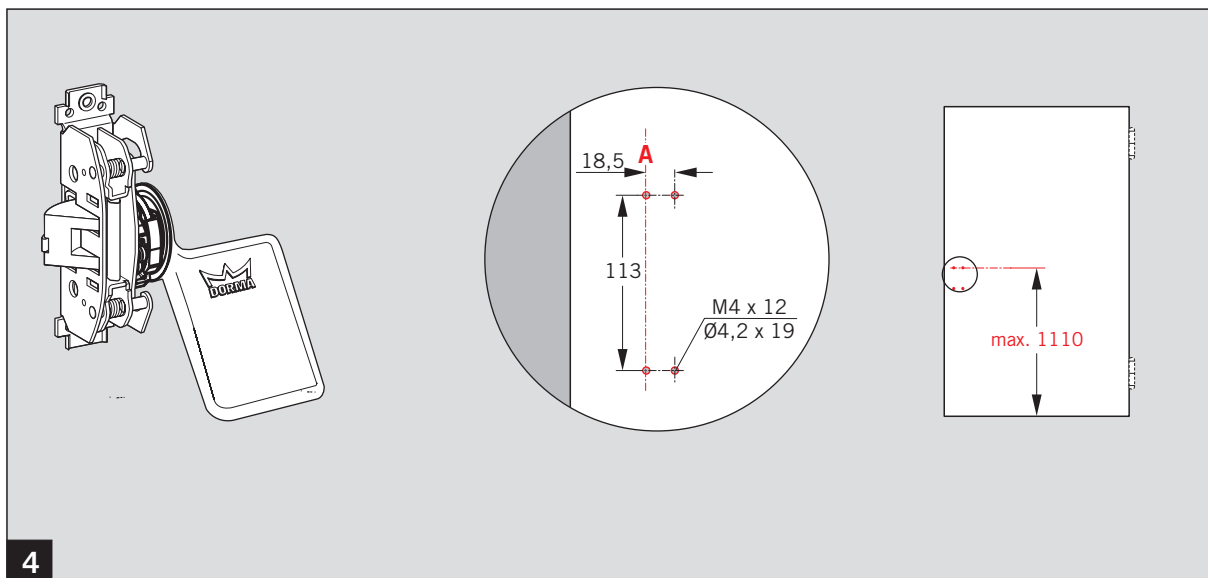
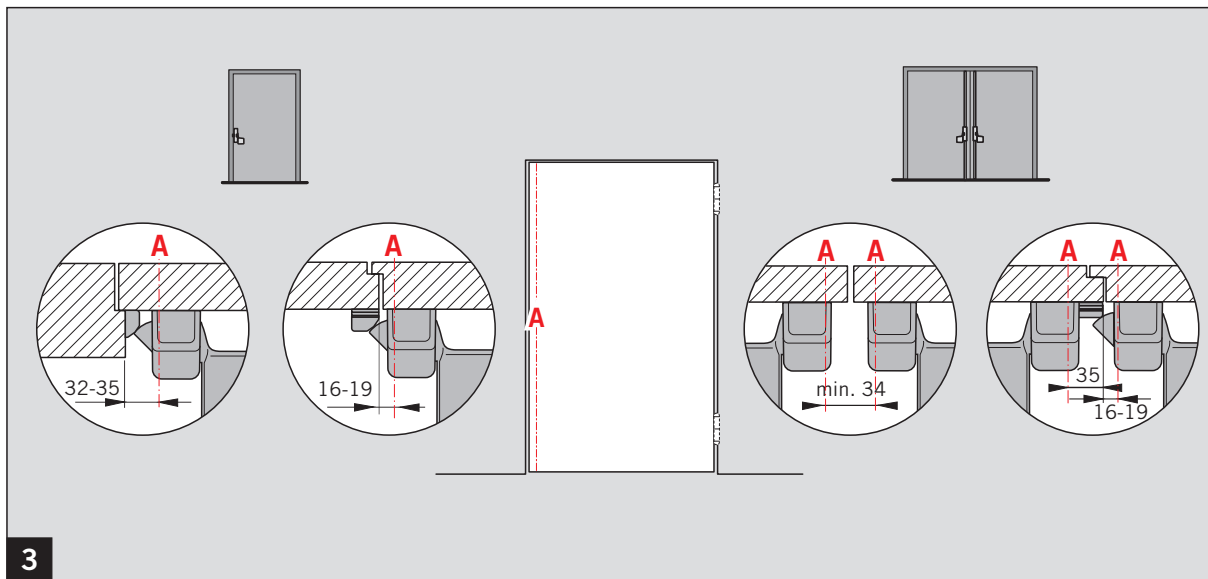
Dans de rares situations ($X < 1000$ mm ensemble avec $Y > 90$ mm) le ferme porte anti-panique ne peut éventuellement pas être installé d'après les mesures standards. DORMA vous envoie sur demande un plan de montage spécifique.

In situazioni straordinarie, ($X < 1000$ mm e $Y > 90$ mm) il maniglione antipanico non può essere installato seguendo le misure standard. DORMA vi manda su richiesta un piano di montaggio specifico.

El accesorio antipanico eventualmente no puede ser montado con medidas standard quando hay extremas situaciones de puertas con un ancho de puerta $X < 1000$ mm en combinacion con la distancia de pernio de bisagras $Y > 90$ mm.

DORMA tiene las propuestas de montaje disponibles sobre demanda.



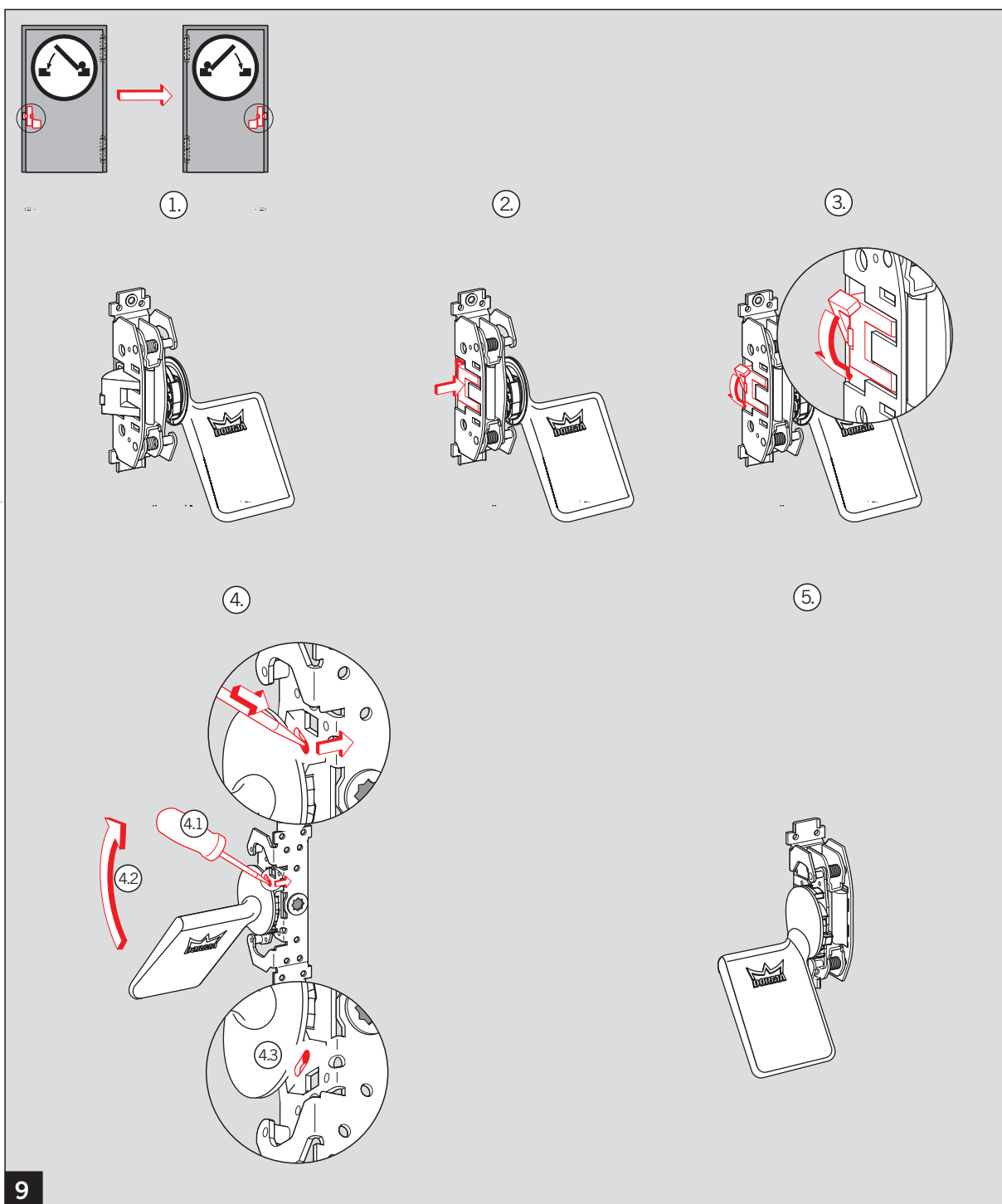
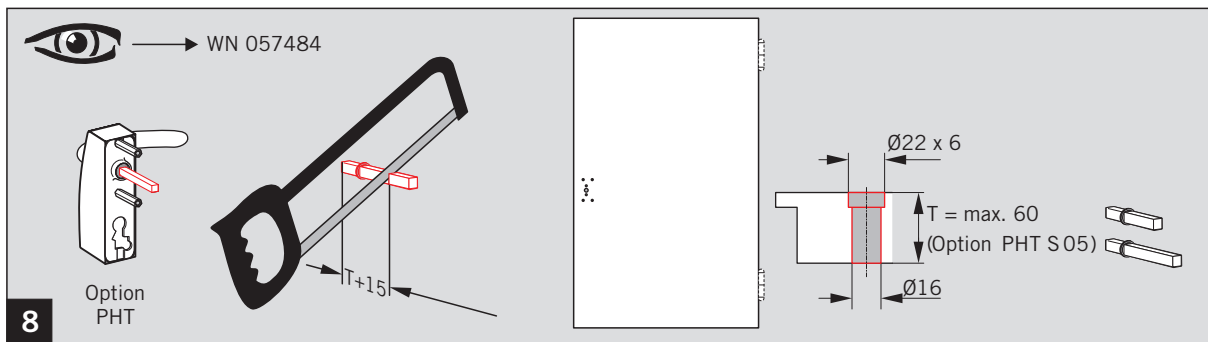


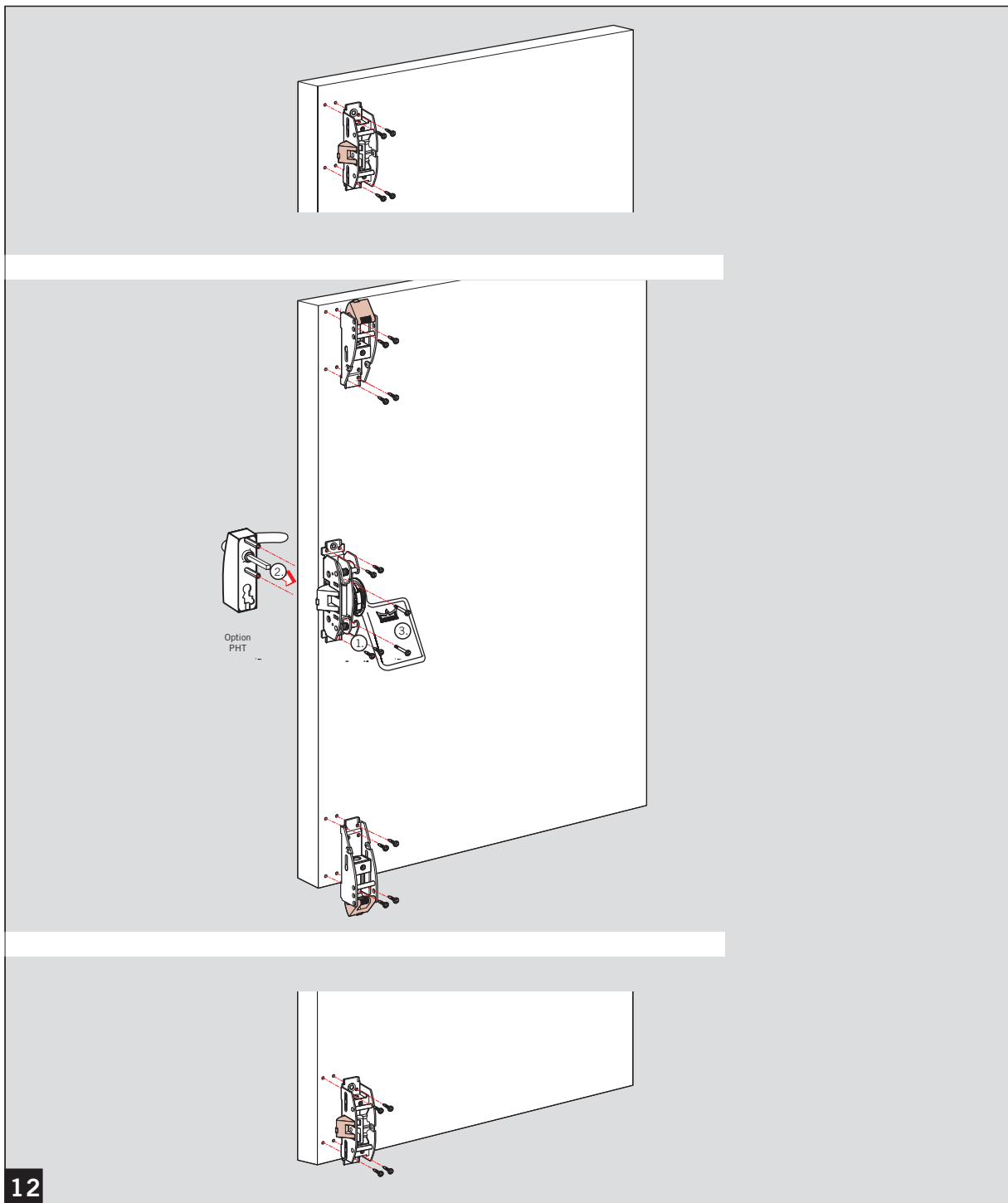
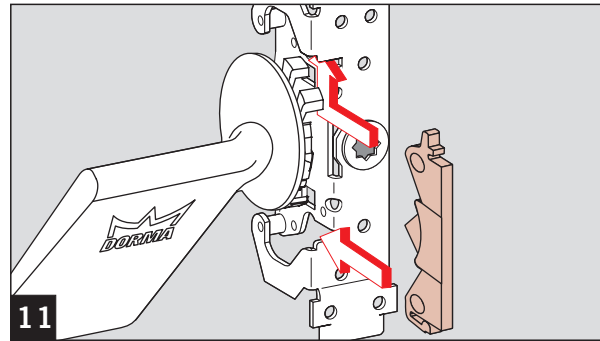
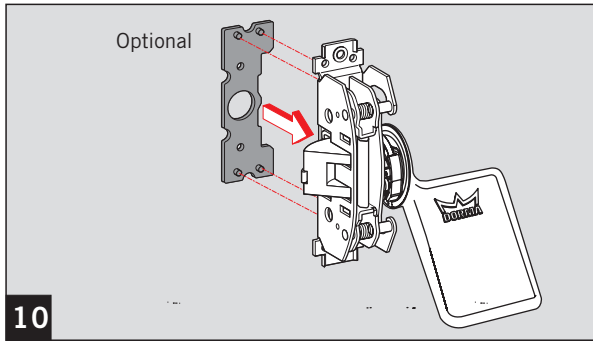
6

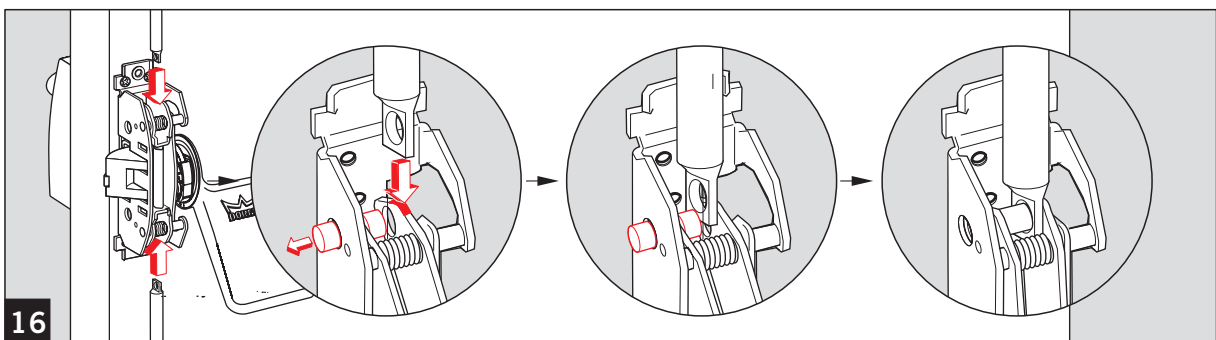
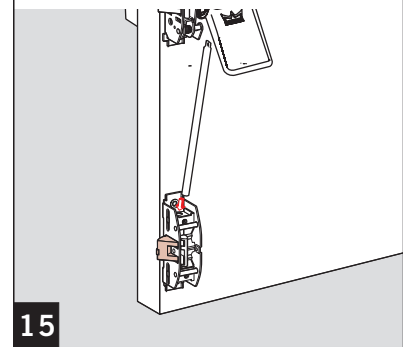
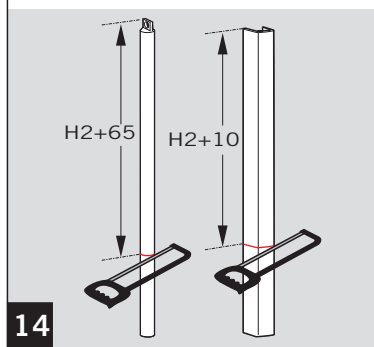
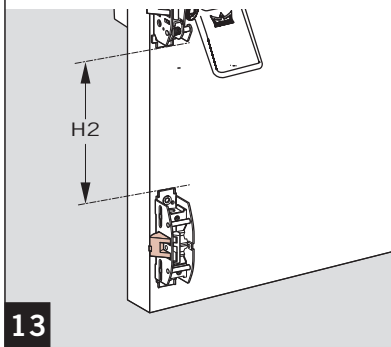
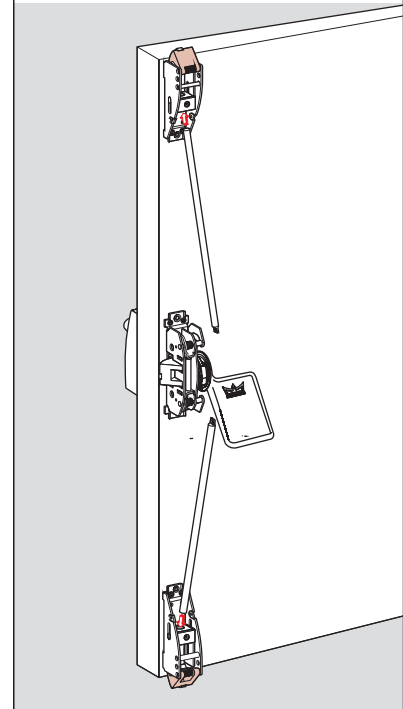
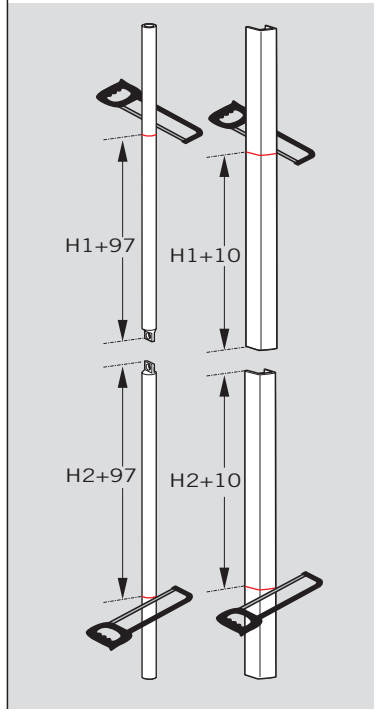
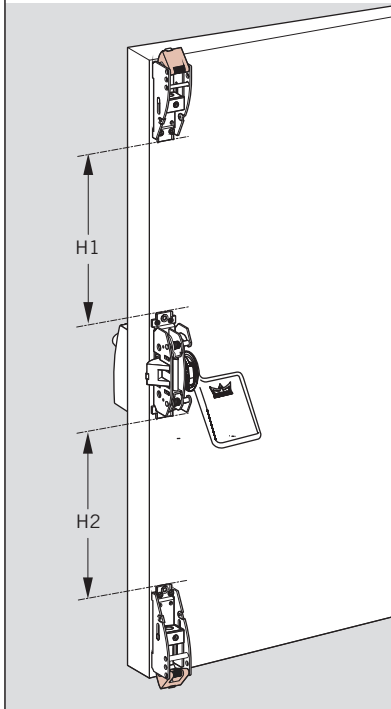
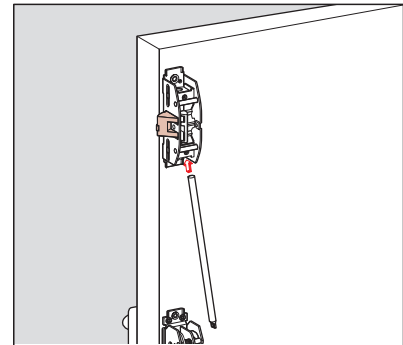
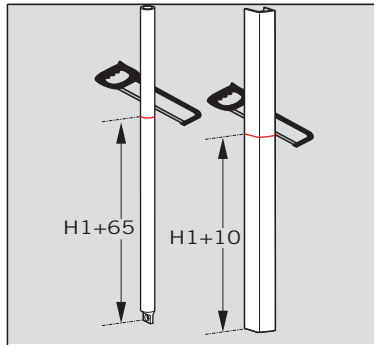
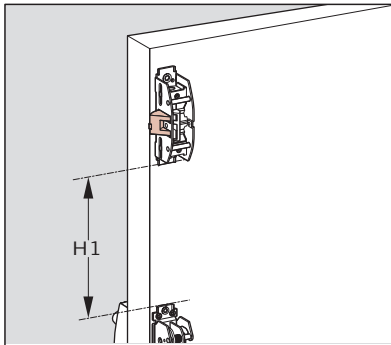
Technical drawing for Exit Pad 6. The main front view shows a door with two horizontal lines representing the pad's position. The top line is at a minimum distance of 35 units from the top edge. The distance between the two lines is 89 units. The horizontal distance from the centerline to the center of each line is 18.5 units. The fasteners are labeled as M4 x 12 with a diameter of Ø4,2 x 19. A vertical dashed line labeled 'A' indicates the centerline. Two detail views on the right show the pad's profile with dimensions 43-46 and 27-30, and a vertical dimension 'B'.

7

Technical drawing for Exit Pad 7. The main front view shows a door with two horizontal lines representing the pad's position. The distance between the two lines is 77 units. The horizontal distance from the centerline to the center of each line is 18.5 units. The fasteners are labeled as M4 x 12 with a diameter of Ø4,2 x 19. A vertical dashed line labeled 'A' indicates the centerline. A detail view on the right shows the pad's profile with a vertical dimension of 40-43 units.







16

